



# P5V

## L/C/R/Surround Speaker

### Technical Specifications



- Procella at its most affordable: performance identical to the award-winning P5 bookshelf
- Elegant finish is ideal for mounting next to flat panels and screens
- Main and surround speaker for small to mid-size rooms up to 20 feet in depth
- 1" compression driver on circular constant directivity waveguide: 80° from 2.5kHz
- 5.25" high-output pro woofer driver
- Identical Voice™ timbre-matched to all Procella models
- Sealed-box design
- Can be oriented horizontally or vertically with multiple mounting options
- Black or White cabinet finish
- Use with or without magnetically attached cloth grille

**Impedance** 8 Ohms nominal  
Phase angles less than 45 degrees

**Power handling**  
*Continuous* 75 Watt  
*Peak* 250 Watt

**Sensitivity**  
*1m/1W* 91dB

**Maximum SPL**  
*free-standing* 107dB continuous, 113dB peak  
*in wall* 113dB continuous, 119dB peak

**Frequency response**  
*-3dB points* 90Hz and 20kHz

**Dispersion pattern**  
*-6dB* Constant directivity;  
80° circular from 2.5kHz

**Crossover** Asymmetrical and phase aligned  
2.2kHz, BSC

**Components**  
*Midrange* 5.25" driver with 26mm voice coil in 5 litre sealed box

*High Frequency* 1" compression driver on a circular constant directivity wave guide

**Connectivity** Gold plated large diameter binding posts

**Wall Mount** Inserts for VESA 100 mount plus keyholes, for both vertical and horizontal mounting

**Finish** White or Black semi-matte painted finish. MDF construction, removable cloth grille

**Dimensions**  
*HxWxD* 18.5" x 7.5" x 4.1" / 470 x 190 x 104 mm

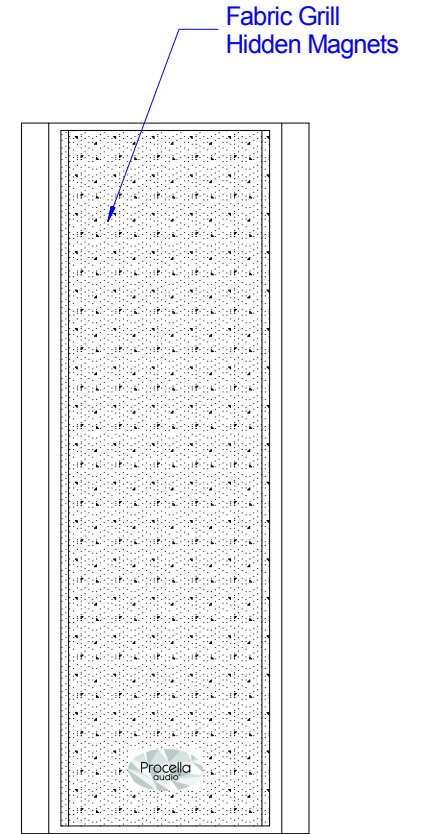
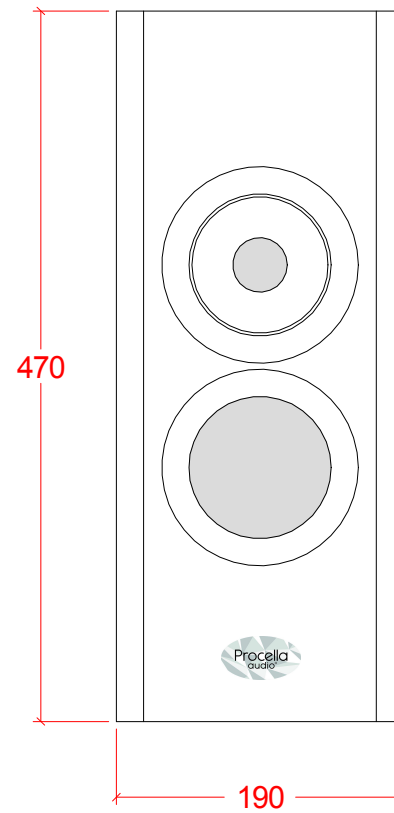
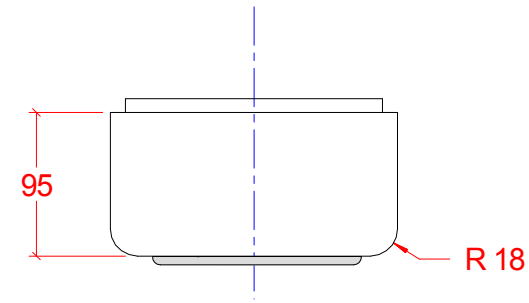
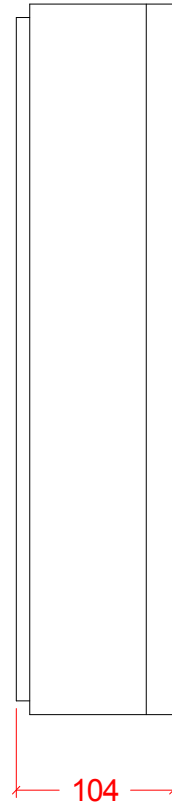
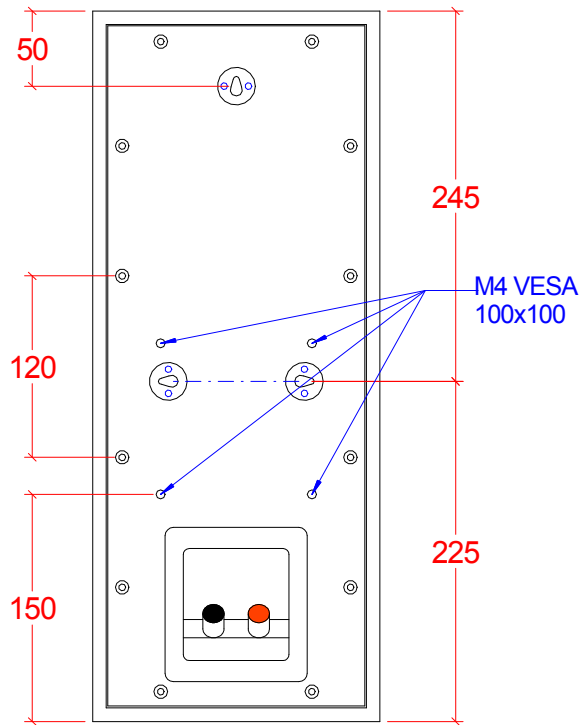
**Shipping Carton**  
*HxWxD* 23.6" x 11.8" x 7.85" / 600 x 300 x 200 mm

**Net weight** 11 Lbs / 5.0Kg

**Shipping weight** 13.2 Lbs / 6.0Kg

**Assembly** Sweden; 100% QC testing

# P5V



Package: 600x300x200mm



Procella P5V: Dimensions  
Anders Uggelberg, 21July -15  
UPD: 26/8, 20/1-16  
Scale 1:5 (PDF/JPG-file not to scale)  
P5V\_VUE.CAD