



# P18



## Active DSP Subwoofer Technical Specifications



- Dual-Drive Dual-Amp design
- Extremely high output for the largest home cinemas, screening rooms and small cinemas
- THX Approved for integration into professional rooms, including THX Certified Screening Rooms and THX pm3 Studios
- Twin 18" long-throw drivers with Neodymium magnets and 4" voice coils
- Critically reinforced sealed-box design
- Maximum output 139 dB @ 50 Hz
- - 3 dB point 21 Hz
- Shallow depth (300mm / 11.8")
- 1,200W+1,200W when external Procella DA-06DSP 2,400 Watt power amplifier is used
- DA-06 provides DSP control for room boundary conditions:
  - against wall
  - in corner
  - in baffle wall

### Frequency Response

- 3 dB                      21 Hz

### Maximum SPL @50 Hz

Continuous      133 dB  
Peak                      139 dB

**Components**      Dual long-throw professional 18" drivers with 4" voice coil, Aluminum demodulation ring and Neodymium magnets in 205 litre sealed box

**Impedance**              Each driver is 8 ohms nominal

### Power Handling

Continuous      2 x 1,200W  
Peak                      2 x 3,000W

### Sensitivity

1m/1W                      102 dB

**Connectivity**              Dual gold-plated binding posts  
One input per driver

**Construction**              Heavily internally braced MDF  
Semi matte textured black paint finish

### Dimensions

HxWxD                      26.375" x 41.3" x 11.8"  
670 x 1050 x 300 mm

**Shipping Carton**      45.3" x 29.9"x 15.75"  
1150 x 760 x 400 mm

**Net weight**                      143 Lbs / 65 Kg

**Shipping weight**              165 Lbs / 75 Kg (plus pallet)

**Included**                      Damper feet, Protective grille

**Assembly**                      Sweden; 100% QC testing

### DA-06 Power Amplifier

Sold and packaged separately.  
See DA-05 / DA-06 Tech Sheet for details.

**Power**                      1,200W + 1,200W continuous, Class D

**DSP Settings**              Against wall, in corner  
User selectable      In baffle wall

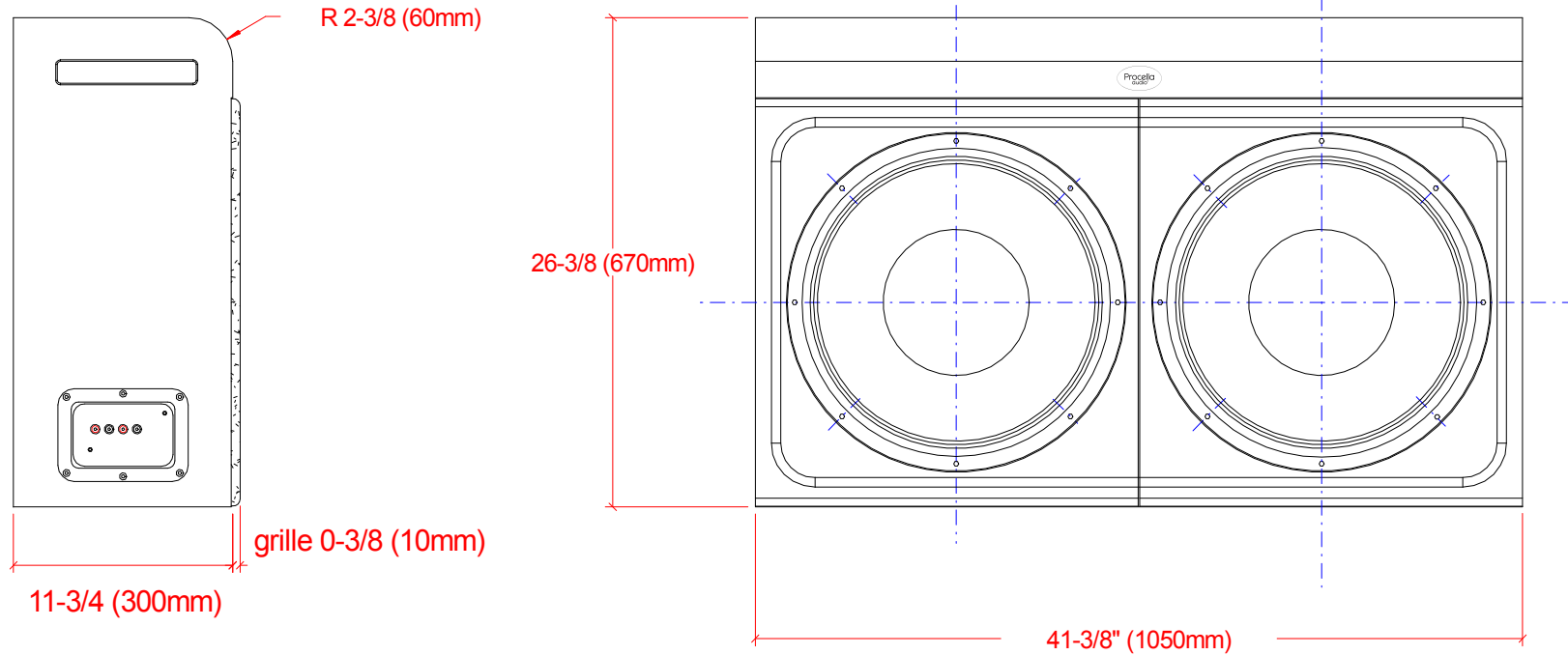
**Line Voltage**                      100 - 250V, 40 - 80 Hz

### Dimensions

W x H x D                      483 mm (19" ) x 44 mm (1 U) x 359 mm (14.1")

**Weight**                      6.2 kg (13.7 lbs)

# P18



Baffle wall cut-out = 1100 x 710mm (43.3" x 28" )

21mm MDF, Black, semi matte structured paint  
VB: 160L  
Packaging: 1200x800x400mm

T-nut tolerances: 0.5mm  
Outside tolerance: +2mm  
handle brackets and Cup position +5mm  
All other tolerances +-0.5mm



**Procella P18 V3.0**  
P18\_3\_vue.CAD  
Anders Uggeberg 29/6 -15  
UPD:8/9  
Scale 1:10 (PDF/JPG-file not to scale)