



# P860

## Bi-amplified High Output L/C/R Speaker *Technical Specifications*



- Very high output main speaker for the largest domestic rooms up to and including mid-size cinemas
- Recommended for rooms 12 to 24 metres in length (40 to 80 feet)
- Stands a massive six feet tall
- Active bi-amplification with 2 Procella DA-06DSP power amplifiers
- 1.5" compression driver on elliptical constant directivity waveguide:  
80°H x 50°V from 1.5 kHz
- Dual 8" high-output midranges
- V6™ Power: 6 x 10" woofers with 65mm voice coils
- Identical Voice™ timbre-matched to Procella P8 surround channel speakers
- Sealed box design
- Full-range operation with extension to 40 Hz
- Shallow depth (360mm / 14.2" deep)

### **Impedance**

Mid/HF 4 Ohms nominal  
Low Frequency 3 inputs, each 6 Ohms nominal

### **Amplification**

2 Procella DA-06 DSP power amps  
Mid/HF 1 channel @ 1,200 Watts  
Low Frequency 3 channels @ 1,200 Watts

### **Sensitivity**

1m/1W 95 dB

### **Maximum SPL**

free-standing 128dB continuous, 132dB peak  
in baffle wall 132dB continuous, 138dB peak

### **Frequency response**

-3dB points 40Hz and 20kHz

### **Dispersion pattern**

-6dB Constant directivity:  
80°H x 50°V from 1.0 kHz

### **Crossover**

4th Order Linkwitz-Riley  
1.6 kHz and 150Hz

### **Components**

Low Frequency Procella V6™ configuration:  
6 x 10" drivers with 65mm voice coils  
in 150 litre sealed box

### **Midrange**

2 x 8" high output drivers with  
40mm voice coil in 30 litre sealed box

### **High Frequency**

1.5" driver with a Polyester diaphragm on  
elliptical constant directivity waveguide

### **Connectivity**

4 pair gold-plated binding posts  
3 inputs LF, 1 input HF

### **Construction**

Void free MDF, internally cross-braced  
Studio Black vinyl finish standard

### **Dimensions**

HxWxD 69.5" x 20.9" x 14.2"  
1765 x 530 x 360 mm

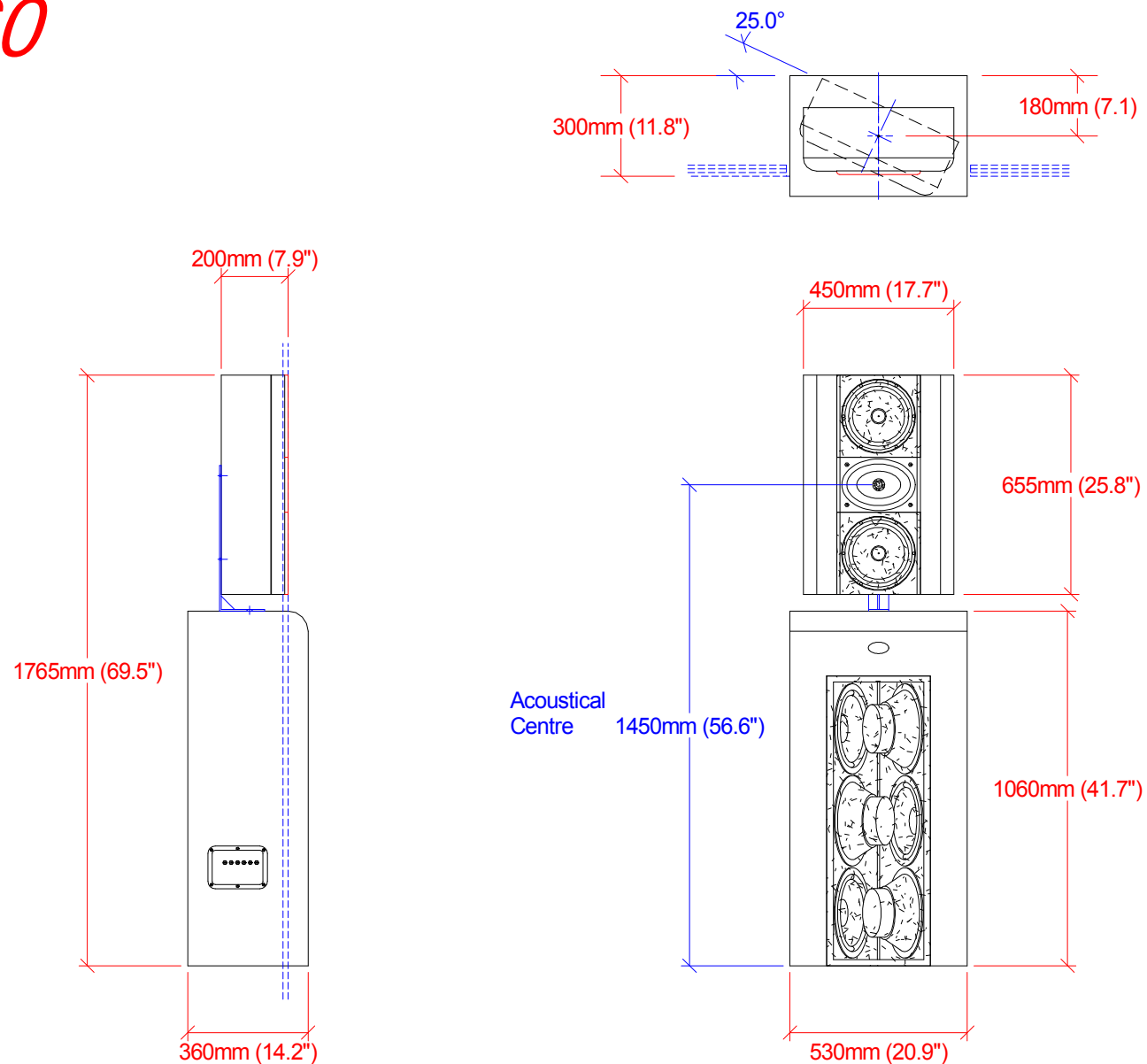
### **Included**

Loudspeaker bracket, Damper feet

### **Assembly**

Sweden; 100% QC testing

# P860



Baffle wall cut-out = 1'800mm x 550mm (71"x22")  
Weight = TBA