



P860

Bi-amplified High Output L/C/R Speaker

Technical Specifications



- Very high output main speaker for the largest domestic rooms up to and including mid-size cinemas
- Recommended for rooms 12 to 24 metres in length (40 to 80 feet)
- Stands a massive six feet tall
- Active bi-amplification with 2 Procella DA-06DSP power amplifiers
- 1.5" compression driver on elliptical constant directivity waveguide: 80°H x 50°V from 1.5 kHz
- Dual 8" high-output midranges
- V6™ Power: 6 x 10" woofers with 65mm voice coils
- Identical Voice™ timbre-matched to Procella P8 surround channel speakers
- Sealed box design
- Full-range operation with extension to 40 Hz
- Shallow depth (360mm / 14.2" deep)

Impedance

Mid/HF 4 Ohms nominal
Low Frequency 3 inputs, each 6 Ohms nominal

Amplification

2 Procella DA-06DSP power amplifiers
Mid/HF 1 channel @ 1,200 Watts
Low Frequency 3 channels @ 1,200 Watts

Sensitivity

1m/1W 95 dB

Maximum SPL

free-standing 128dB continuous, 132dB peak
in baffle wall 132dB continuous, 138dB peak

Frequency response

-3dB points 40Hz and 20kHz

Dispersion pattern

-6dB Constant directivity:
80°H x 50°V from 1.0 kHz

Crossover

4th Order Linkwitz-Riley
1.6 kHz and 150Hz

Components

Low Frequency Procella V6™ configuration:
6 x 10" drivers with 65mm voice coils
in 150 litre sealed box

Midrange

2 x 8" high output drivers with
40mm voice coil in 30 litre sealed box

High Frequency

1.5" driver with a Polyester diaphragm on
elliptical constant directivity waveguide

Connectivity

4 pair gold-plated binding posts
3 inputs LF, 1 input HF

Construction

Void free MDF, internally cross-braced
Studio Black vinyl finish standard

Dimensions

HxWxD 69.5" x 20.9" x 14.2"
1765 x 530 x 360 mm

Included

Loudspeaker bracket, Damper feet

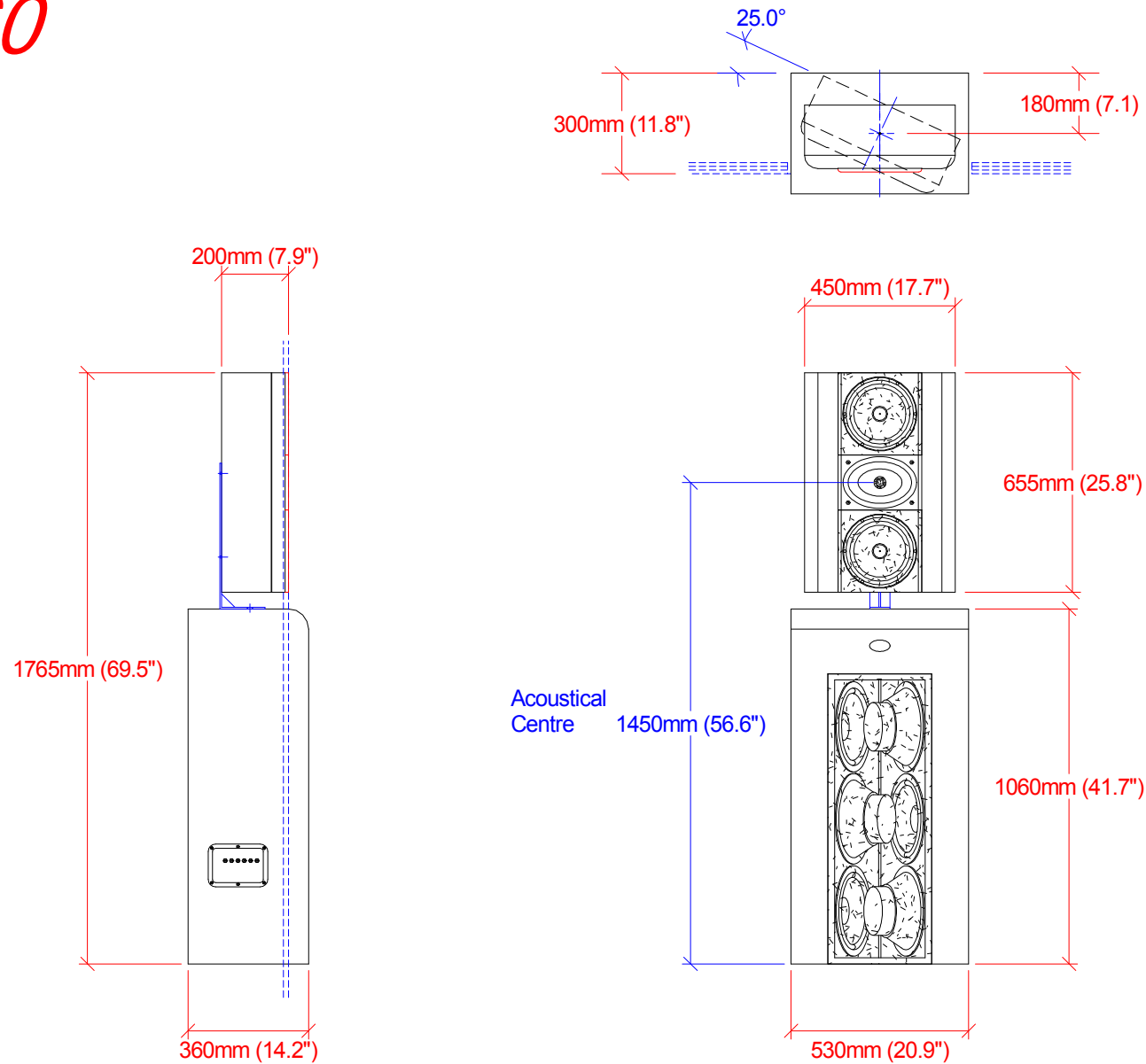
Assembly

Sweden; 100% QC testing

contact@procella-audio.com

www.procella-audio.com

P860



Baffle wall cut-out = 1'800mm x 550mm (71"x22")
Weight = TBA