



# P815



## Bi-amplified L/C/R Speaker

### Technical Specifications



- Main speaker for large to very large rooms, up to and including small cinemas
- Recommended for rooms 25 to 50 feet in depth
- THX Approved for integration into professional rooms, including THX Certified Screening Rooms and THX pm3 Studios
- 1.5" compression driver on elliptical constant directivity waveguide: 80°H x 50°V from 1.5 kHz
- 8" high-output midrange with 2.5" voice coil
- 15" woofer with 3" voice coil
- Identical Voice™ timbre-matched to Procella P5, P6, P8, P28, P610 and P860
- Sealed box design
- Shallow depth (11.0" / 280mm deep)
- 600W (P8) + 600W (P15Si) when external Procella DA-06 power amplifier is used
- DA-06 amp provides DSP control for room placement conditions including baffle wall and free standing

#### Frequency response

-3dB points 40Hz and 20kHz

#### Maximum SPL

free-standing 122dB continuous, 126dB peak  
in baffle wall 126dB continuous, 132dB peak

#### Components

Low 15" driver with 75mm voice coil in 92 litre sealed box (P15Si)  
Midrange 8" high output driver with 40mm voice coil in 15 litre sealed box (P8)  
High Frequency 1.5" driver, Polyester diaphragm, on elliptical constant directivity waveguide (P8)

#### Impedance

Low (P15Si) 4 ohms nominal  
Mid/High (P8) 8 ohms nominal

#### Power Handling

Low (P15Si) 700W continuous, 1,500W peak  
Mid/High (P8) 250W continuous, 1,000W peak

#### Sensitivity

1m/1W 96 dB

#### Dispersion pattern

-6dB Constant directivity:  
80°H x 50°V from 1.5kHz

#### Crossover

4th Order Linkwitz-Riley, 1.6 kHz and 150Hz

#### Connectivity

2 pair gold-plated binding posts

#### Construction

Void free MDF internally cross braced  
Semi matte textured black paint finish

#### Dimensions

HxWxD 40.6" x 18.9" x 11.0" / 1030 x 480 x 280 mm

#### Shipping Cartons (2) and Weight

P8 HxWxD 19.75" x 23.5" x 12" / 37.5 lbs.  
500 x 585 x 305 mm / 17.0 Kg  
P15Si HxWxD 23.6" x 27.6" x 17.7" / 77 lbs.  
600 x 700 x 450mm / 35 Kg

#### Net weight

114.5 Lbs / 52 Kg

#### Included

Connecting Bracket, Damper feet

#### Assembly

Sweden; 100% QC testing

#### DA-06 Class D Power Amplifier

Sold and packaged separately. See DA-05 / DA-06 Tech Sheet.

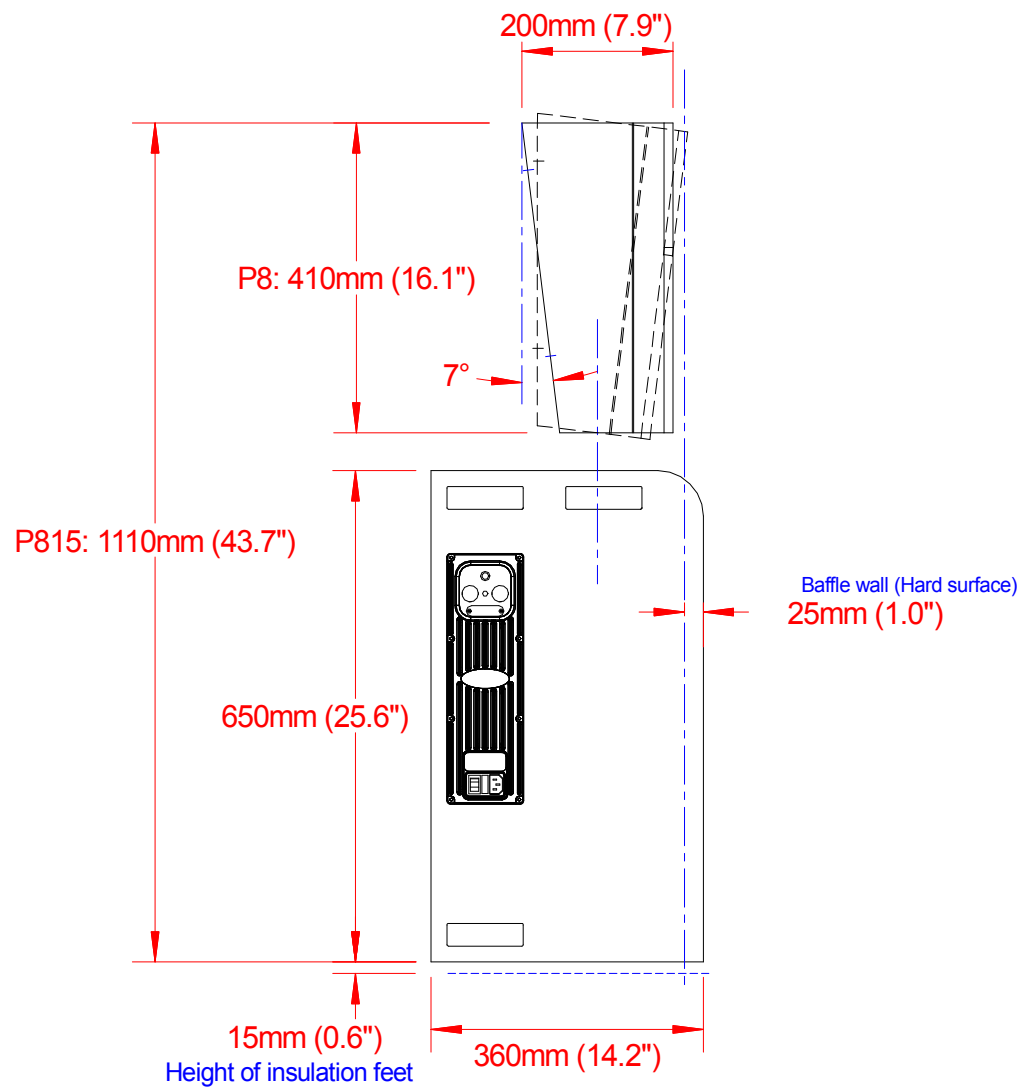
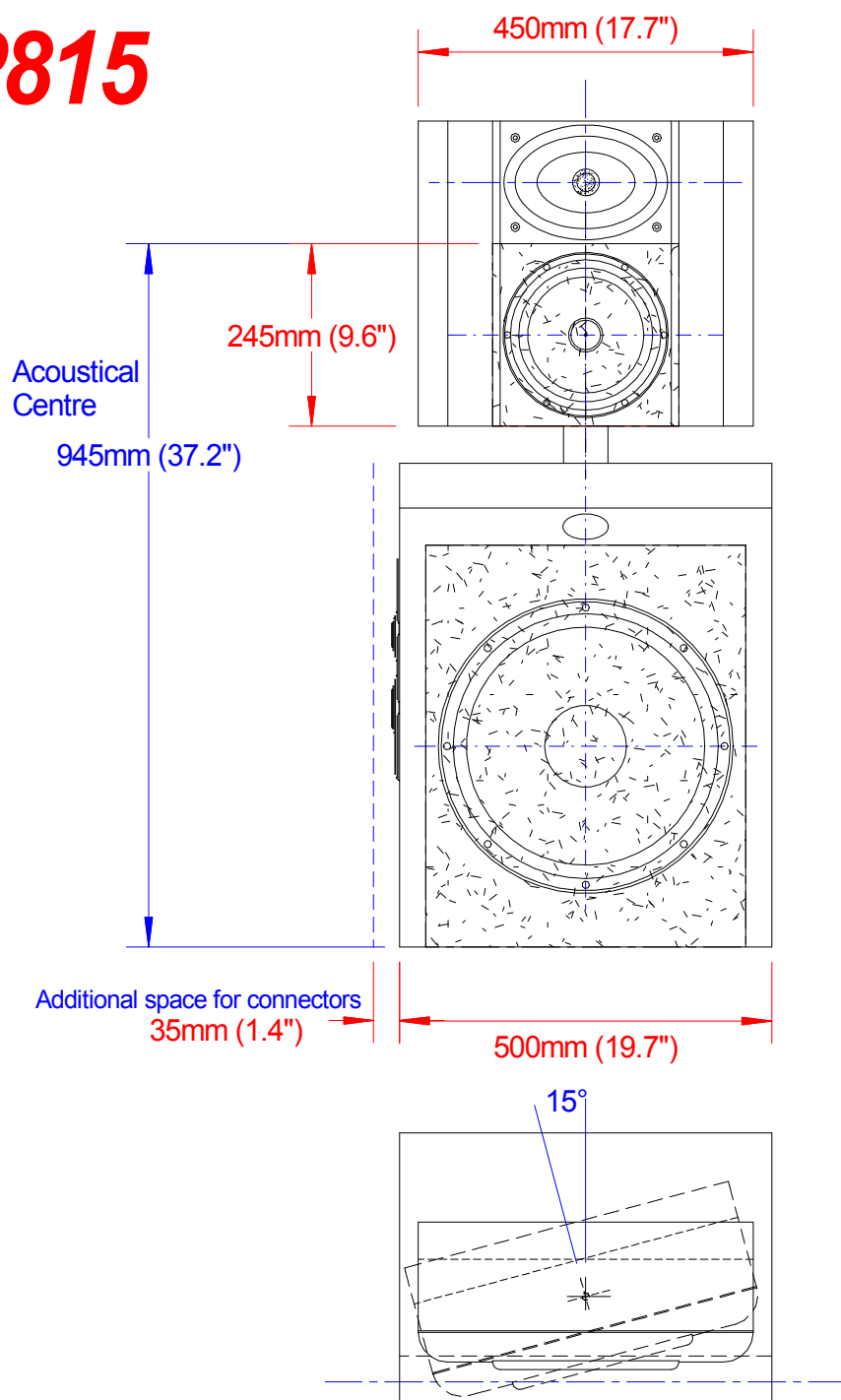
#### Power

600W (P8) + 60W (P15Si) continuous,

#### DSP Settings

Free standing, Against wall,  
User selectable In baffle wall, In baffle wall with  
compensation EQ for perf screen

# P815



Baffle wall cut-out for P8 = 480 x 440mm (19-3/4" x 17-3/8")  
 P815LF = 700 x 540mm (27-1/2" x 21-1/4")  
 P815 = 1160 x 540mm (45-5/8" x 21-1/4")  
 Weight P8 = 15.5kg (34.2Lbs)  
 P815LF = 48kg (106Lbs)



Procella P815 dimensions  
 P815\_vue.CAD  
 Anders Uggelberg aug -09  
 UPD:16/9, 23/7-11, 26/1 -12  
 Scale 1:10 (PDF/JPG-file not to scale)