



P8



L/C/R/Surround Speaker Technical Specifications



- Main and surround speaker for mid to large-size rooms
- Main speaker for rooms 15 to 30 feet deep
- THX Approved for integration into professional rooms, including THX Certified Screening Rooms and THX pm3 Studios
- 1.5" compression driver on elliptical constant directivity waveguide:
80°H x 50°V from 1.5kHz
- High-output 8" woofer with 1.5" (40mm) VC
- Identical Voice™ timbre-matched to Procella P860, P815, P610, P28, P6 and P5
- Back baffle angled at 7°
- Sealed-box design
- Shallow depth (7.9" deep)
- Mounting bracket included

Impedance 8 Ohms nominal
Above 12 Ohms in working range,
phase angles less than 30 degrees

Power handling
Continuous 250 Watt
Peak 1,000 Watt

Sensitivity
1m/1W 92dB

Maximum SPL
free-standing 116dB continuous, 122dB peak
in baffle wall 122dB continuous, 128dB peak

Frequency response
-3dB points 80Hz and 20kHz

Dispersion pattern
-6dB Constant directivity;
80°H x 50°V from 1.5kHz

Crossover 4th Order Linkwitz-Riley
1.6 KHz, BSC

Components
Midrange 8" high output driver with 40mm
voice coil in 15 litre sealed box
High Frequency 1.5" driver with a Polyester diaphragm on
elliptical constant directivity wave guide

Connectivity Gold plated binding posts

Construction Void free MDF internally cross braced
Studio vinyl finish as standard

Dimensions
HxWxD 16.125" x 17.7" x 7.875 / 5.4" (7° tilt)
410 x 450 x 200 / 138 mm (7° tilt)

Shipping Carton
HxWxD 19.75" x 23.5" x 12"
500 x 600 x 305 mm

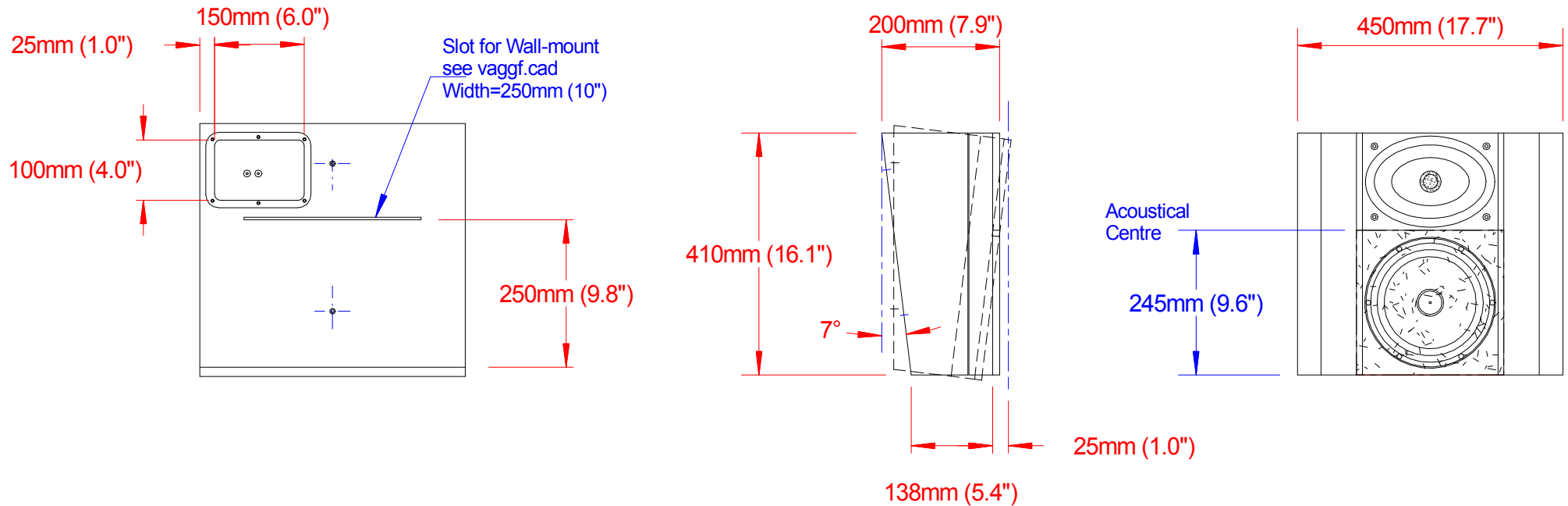
Net weight 34.2 Lbs / 15.5 Kg

Shipping weight 37.7 Lbs / 17.1 Kg

Included Wall mount bracket

Assembly Sweden; 100% QC testing

P8



Baffle wall cut-out = 500 x 440mm (19-3/4" x 17-3/8")
Weight = 15.5kg (34.2Lbs)



Procella P8 dimensions
P8_vue.CAD
Anders Uggelberg 23/7-11
UPD: 25/1-12
Scale 1:10 (PDF/JPG-file not to scale)