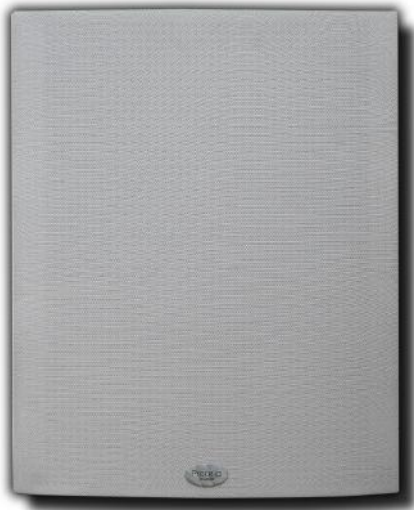




P6iW

In-Wall L/C/R/Surround/Height Speaker Technical Information



- Identical performance and sound as Procella’s award-winning P6
- All MDF sealed-box design including integral back box
- Drivers and crossover mounted on removable front baffle
- Main speaker for mid-size rooms; surround or height channel for any size room

- 6.5” high-efficiency woofer driver
- 1” pro compression driver on 80° circular constant directivity waveguide
- Ideal for ceiling mounted Atmos and VOG 3D Audio height channels
- Elegant wing-shaped white grille with white fabric cover adds attractive and distinctive look to any environment; black grille optional

Impedance 8 Ohms nominal. Phase angles less than 30 degrees.

Power handling
Continuous 100 Watt
Peak 300 Watt

Sensitivity
1m/1w 90dB

Maximum SPL 116dB continuous, 122dB peak

Frequency response
-3dB points 70 Hz and 20 kHz

Dispersion pattern
-6dB Constant directivity;
80° circular from 2.0kHz

Crossover 4th Order Linkwitz-Riley
1.9kHz, BSC

Connectivity Gold plated push terminals

Components
Midrange 6.5” driver with 40mm voice coil in 9 litre sealed box
High Frequency 1” compression driver, circular constant directivity waveguide

Construction Solid MDF, sealed back box.

Dimensions
Speaker WxH 12.875” x 18.5” / 328 x 470mm
Depth 3.9” / 98mm (fits in standard U.S. walls)
Wall cut-out 11.5” x 17” / 292 x 432mm
Grille WxH 15.75” x 19.7” / 400 x 500mm

Shipping Carton
HxWxD 5.75” x 19.7” x 23.6” / 265 x 500 x 600 mm

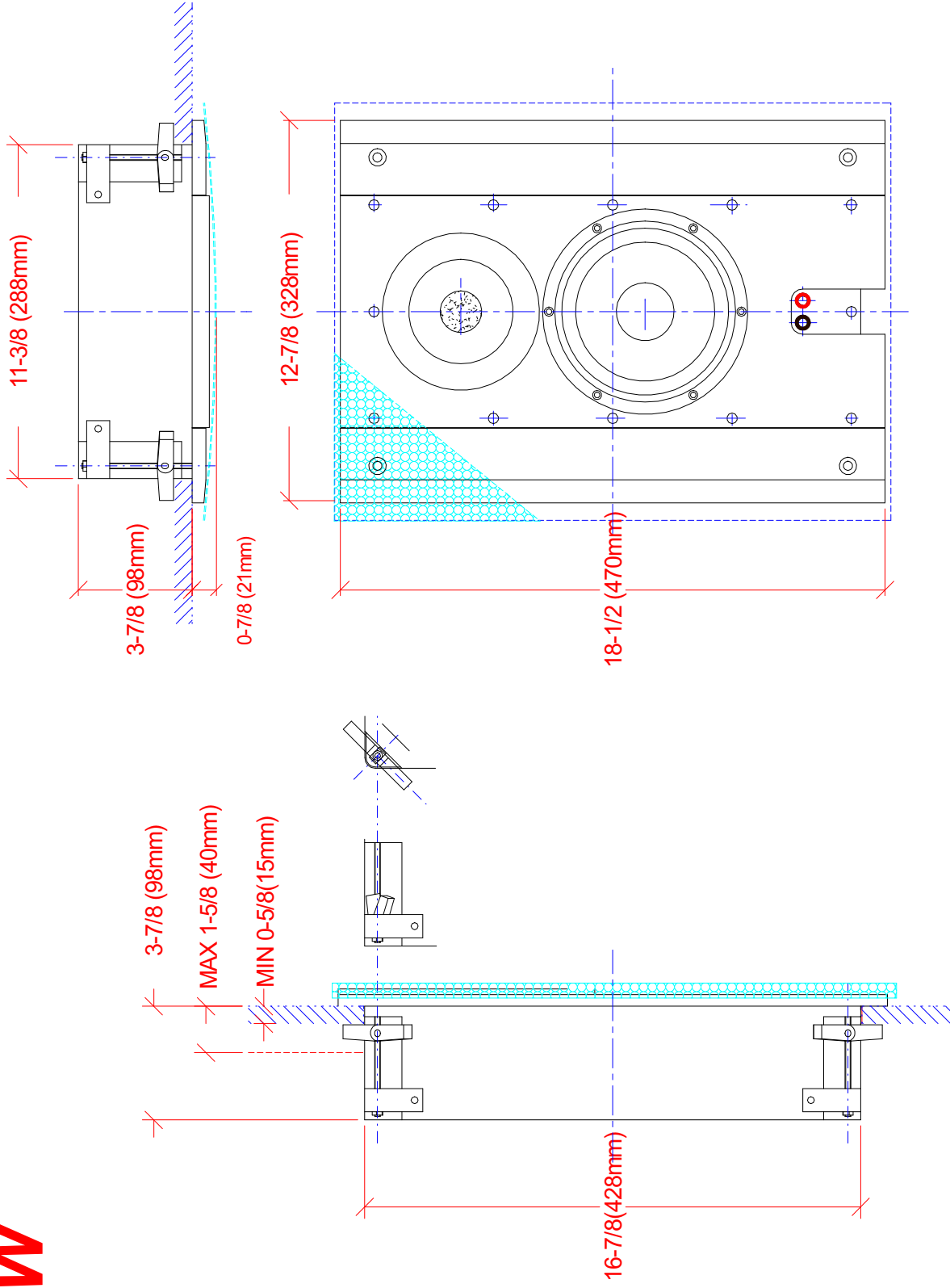
Net weight 22 Lbs. / 10 Kg

Shipping weight 26.5 Lbs. / 12 Kg

Optional Black steel grille, black fabric

Assembly Sweden; 100% QC testing

P6iW



18, 15+12mm MDF
Wall cut-out = 17"x11.5 (292x432mm)
Weight =
Box volume = 8.7L
Package: 600x500x250mm



Procella P6 inWall
Anders Uggelberg, 10feb-13
UPD: 25/7, 1/10
Scale 1:5 (PDF/JPG-file not to scale)
P6iW.CAD