



P610

Bi-amplified L/C/R Speaker

Technical Specifications



- High output main speaker for mid to large size rooms 15 to 30 feet (5 to 9 meters) in depth
- Full-range operation with extension to 40 Hz
- Requires external active bi-amplification with DSP crossover: Optimal performance with Procella DA-05DSP or DA-06DSP power amplifiers
- 1 inch compression driver on elliptical constant directivity waveguide: 90°H x 60°V from 2.0 kHz
- 10 inch Pro-quality, Italian-made long-throw woofer with 2.5" (65mm) voice coil
- High-efficiency 6.5 inch midrange with 1.5" 40mm voice coil
- Identical Voice™ timbre-matched to Procella P8, P6, P5, P28, P815 and P860
- Very shallow depth (150mm / 5.9 inches deep)
- All sealed-box design for superior transient response

Impedance	8 Ohms nominal
Power handling	
Low Frequency peak	350 Watts continuous, 1,000 Watts peak
High Frequency	100 Watts continuous, 300 Watts peak
Sensitivity	
1m/1W	92 dB
Maximum SPL	
free-standing	116dB continuous, 122dB peak
in baffle wall	122dB continuous, 128dB peak
Frequency response	
-3dB points	40Hz and 20kHz
Dispersion pattern	
-6dB	Constant directivity: 90°H x 60°V from 2.0 kHz
Crossover	4th Order Linkwitz-Riley 1.9 kHz (internal to P6) 150Hz (external DSP required)
Connectivity	Two pair gold-plated binding posts

Components	
Low Frequency (P10Si)	10 inch long-throw driver with 65mm voice coil in 18 litre sealed box
Midrange (P6)	6.5 inch driver with 40mm voice coil in 9 litre sealed box
High Frequency (P6)	1 inch compression driver with a Polyester diaphragm on a Procella-designed elliptical constant directivity waveguide
Construction	Void free MDF, internally cross-braced Studio Black vinyl finish standard
Dimensions and Net Weight	
HxWxD	27.6" x 21.3" x 5.9" / 51 lbs. 700 x 540 x 150 mm / 23 Kg
Shipping Cartons (2) and Weight	
P6 (HxWxD)	10" x 23.5" x 15.75" / 23.1 lbs. 250 x 600 x 390 mm / 10.5 Kg
P10Si (HxWxD)	12" x 25" x 19.5" / 35.5 lbs. 305 x 635 x 500 mm / 16.1 Kg
Included	Loudspeaker bracket, Damper feet
Assembly	Sweden; 100% QC testing



P610

Bi-amplified L/C/R Speaker

Technical Specifications

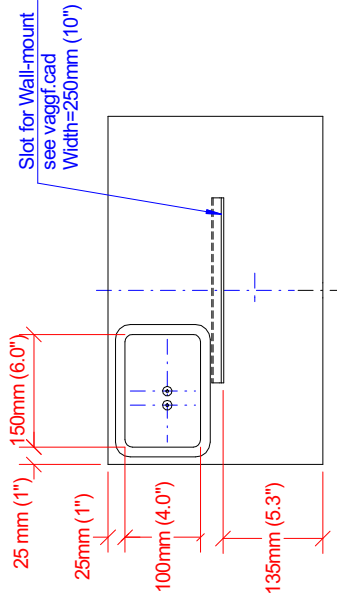
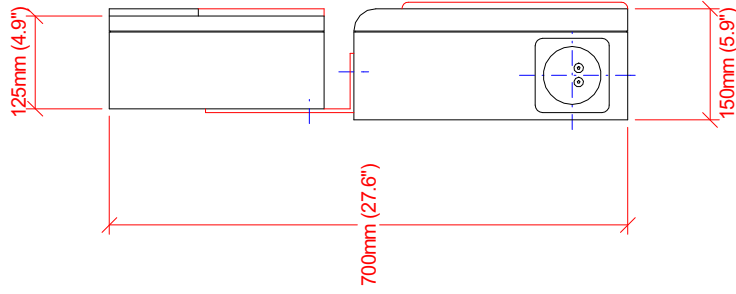
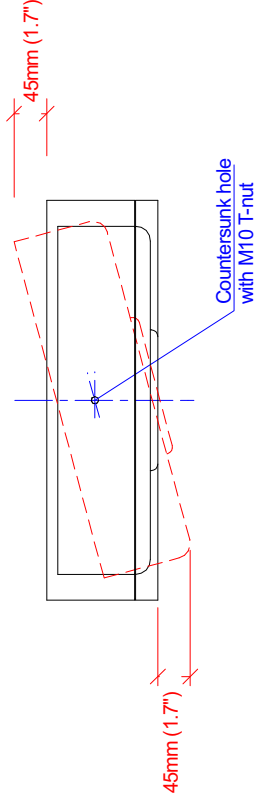


- High output main speaker for mid to large size rooms 15 to 30 feet (5 to 9 meters) in depth
- Full-range operation with extension to 40 Hz
- Requires external active bi-amplification with DSP crossover: Optimal performance with Procella DA-2800DSP 2,800 Watt four-channel amplifier
- 1 inch compression driver on elliptical constant directivity waveguide: 90°H x 60°V from 2.0 kHz
- 10 inch Pro-quality, Italian-made long-throw woofer with 2.5" (65mm) voice coil
- High-efficiency 6.5 inch midrange with 1.5" 40mm voice coil
- Identical Voice™ timbre-matched to Procella P8, P6, P815 and P860
- Very shallow depth (150mm / 5.9 inches deep)
- All sealed-box design for superior transient response

Impedance	8 Ohms nominal
Power handling	
Low Frequency	350 Watts continuous, 1,000 Watts peak
High Frequency	100 Watts continuous, 300 Watts peak
Sensitivity	
1m/1W	92 dB
Maximum SPL	
free-standing	116dB continuous, 122dB peak
in baffle wall	122dB continuous, 128dB peak
Frequency response	
-3dB points	40Hz and 20kHz
Dispersion pattern	
-6dB	Constant directivity: 90°H x 60°V from 2.0 kHz
Crossover	4th Order Linkwitz-Reilly 1.9 kHz (internal to P6) 150Hz (external DSP required)
Connectivity	Two pair gold-plated binding posts

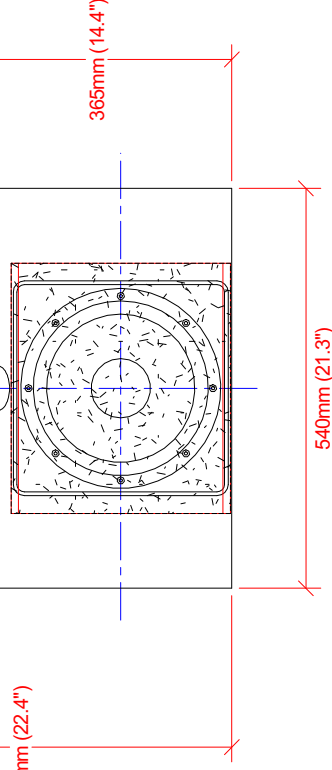
Components	
Low Frequency (P10Si)	10 inch long-throw driver with 65mm voice coil in 18 litre sealed box
Midrange (P6)	6.5 inch driver with 40mm voice coil in 9 litre sealed box
High Frequency (P6)	1 inch compression driver with a Polyester diaphragm on a Procella-designed elliptical constant directivity waveguide
Construction	Void free MDF, internally cross-braced Studio Black vinyl finish standard
Dimensions and Net Weight	
HxWxD	27.6" x 21.3" x 5.9" / 51 lbs. 700 x 540 x 150 mm / 23 Kg
Shipping Cartons (2) and Weight	
P6 (HxWxD)	10" x 23.5" x 15.75" / 23.1 lbs. 250 x 600 x 390 mm / 10.5 Kg
P10Si (HxWxD)	12" x 25" x 19.5" / 35.5 lbs. 305 x 635 x 500 mm / 16.1 Kg
Included	Loudspeaker bracket, Damper feet
Assembly	Sweden; 100% QC testing

15degrees



Backside

Acoustical Centre



Baffle wall cut-out = 750 x 560mm (29.5"x22")
 Weight = 21kg, (46lb)



Procella P610 1(1)
 Assembly
 Anders Uggelberg 07/6 -11
 UPD: 23/8
 P610.CAD
 Scale 1:10 (PDF/JPG-file not to scale)