



P6

L/C/R/Surround Speaker

Technical Specifications



- Main and surround speaker for small to mid-size rooms
- Main speaker recommendation: rooms 10 to 20 feet in depth
- 1" compression driver on elliptical constant directivity waveguide: 90°H x 60°V from 2.0kHz
- 6.5" high-efficiency woofer driver
- Identical Voice™ timbre-matched to Procella P5, P8, P28, P610, P815 and P860
- Sealed-box design
- Slim profile (4.9" deep)
- Mounting bracket included

HOME • CINEMA • STUDIO

WORLD-CLASS HIGH PERFORMANCE LOUDSPEAKERS

LOS ANGELES • STOCKHOLM • SYDNEY

Impedance 8 Ohms nominal
Above 10 Ohm in working range,
phase angles less than 30 degrees

Power handling
Continuous 100 Watt
Peak 300 Watt

Sensitivity
1m/1W 90dB

Maximum SPL
free-standing 110dB continuous, 116dB peak
in baffle wall 116dB continuous, 122dB peak

Frequency response
-3dB points 70Hz and 20kHz

Dispersion pattern
-6dB Constant directivity;
90°H x 60°V from 2.0kHz

Crossover 4th Order Linkwitz-Riley
1.9kHz, BSC

Components
Midrange 6.5" driver with 40mm voice coil in 9 litre sealed box
High Frequency 1" driver with a Polyester diaphragm on elliptical constant directivity wave guide

Connectivity Gold plated binding posts

Construction Void free MDF internally cross braced
Studio vinyl finish as standard

Dimensions
HxWxD 11.4" x 18.5" x 4.9"
290 x 470 x 125 mm

Shipping Carton
HxWxD 10" x 23.5" x 15.75"
250 x 600 x 390 mm

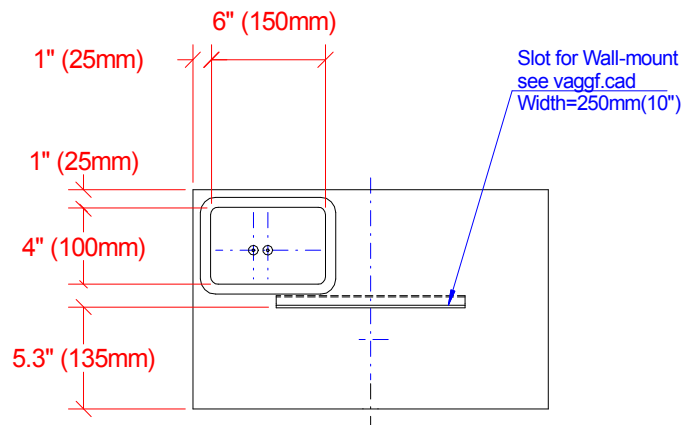
Net weight 18.7 Lbs / 8.5Kg

Shipping weight 23.1 Lbs / 10.5Kg

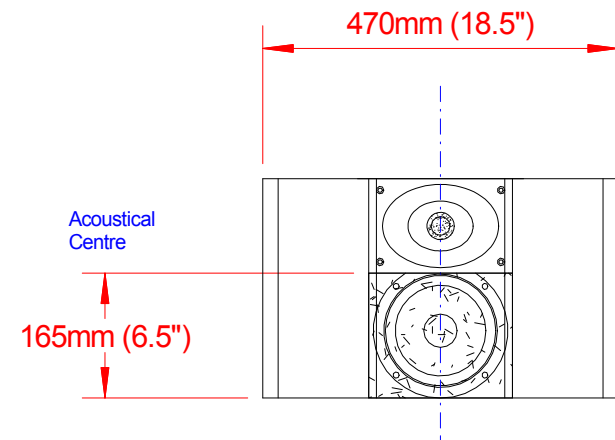
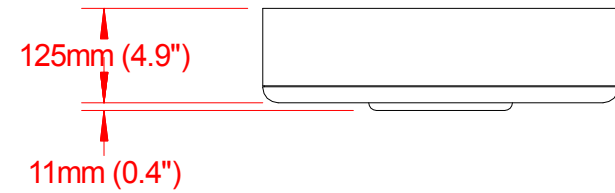
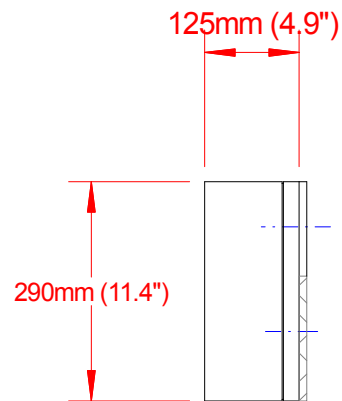
Included Wall mount bracket

Assembly Sweden; 100% QC testing

P6



Backside



Baffle wall cut-out = 500 x 330mm (19.7" x 12.6")
Weight P6 = 9.5kg / 21Lbs