



# P28

## L/C/R/Surround Speaker

### Technical Specifications



- Extremely high output main and surround speaker for mid to large-size rooms
- 8 meter THX Cinema reference level (105dB continuous) speaker
- Main speaker for rooms 15 to 50 feet deep
- Single-enclosure design with internal crossover does not require biamplification or DSP
- 1.5" compression driver on elliptical constant directivity waveguide: 35°H x 50°V from 1.5kHz
- Dual custom high-output 8" woofers with 1.6" / 40mm voice coils
- Identical Voice™ timbre-matched to Procella P860, P815, P610, P8, P6, and P5
- 80Hz subwoofer crossover point
- Sealed-box design
- Shallow depth (7.1" / 180mm deep)

**Impedance** 4 Ohms nominal  
Above 6 Ohms in working range,  
phase angles less than 30 degrees

**Power handling**  
*Continuous* 500 Watt  
*Peak* > 1,000 Watt

**Sensitivity**  
*1m/1W* 95 dB

**Maximum SPL**  
*free-standing* 122 dB continuous, 128 dB peak  
*in baffle wall* 128 dB continuous, 132 dB peak

**Frequency response**  
*-3dB points* 75 Hz and 20 kHz

**Dispersion pattern**  
*-6dB* Constant directivity;  
80°H x 35°V from 1.5kHz

**Crossover** 4th Order Linkwitz-Riley  
1.6 KHz, BSC

**Components**  
*Midrange* 8" Neodymium magnet driver with 40mm  
voice coil in 35 litre sealed box  
*High Frequency* 1.5" driver with a Polyester diaphragm on  
elliptical constant directivity wave guide

**Connectivity** Gold plated binding posts

**Construction** Void free MDF internally cross braced  
Studio vinyl finish as standard

**Dimensions**  
*HxD* 25.8" x 17.7" x 7.1  
655 x 450 x 180 mm

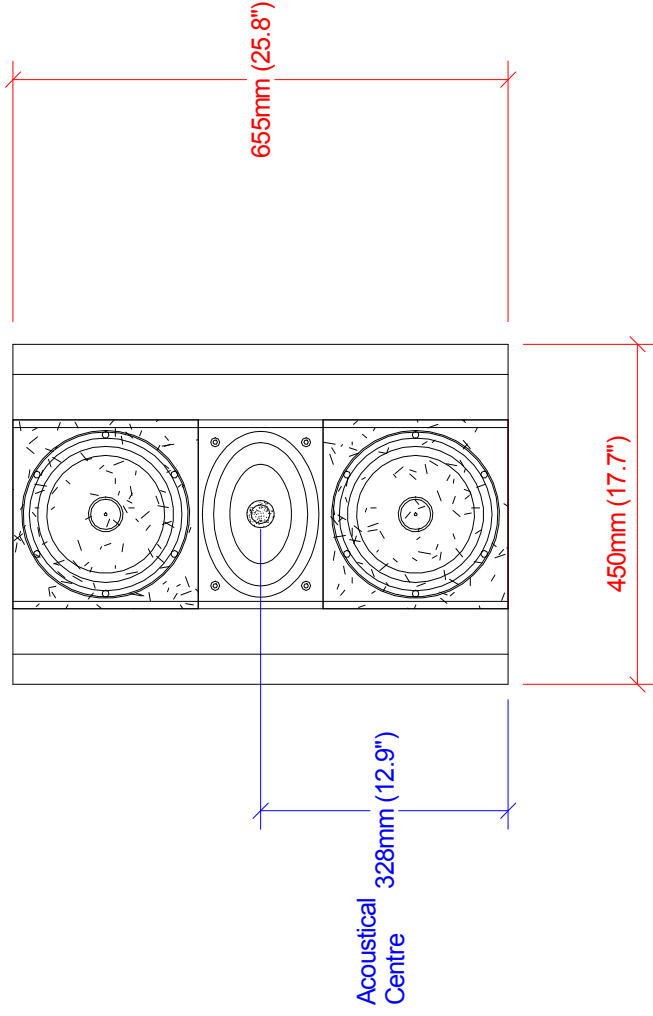
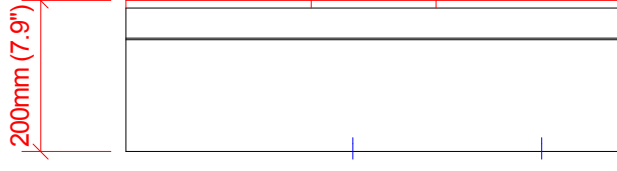
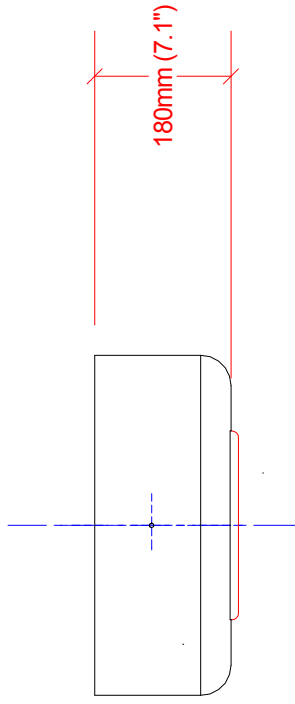
**Shipping Carton**  
*HxD* 31.5" x 23.6" x 11.8"  
800 x 600 x 300 mm

**Net weight** 46.3 Lbs / 21.0 Kg

**Shipping weight** 49.6 Lbs / 22.5 Kg

**Assembly** Sweden; 100% QC testing

# P28



Baffle wall cut-out = 700mm x 480mm (27.5"x19")  
Weight = 21kg (46.3Lbs)



Procella P28  
Anders Uggeberg 12/1 -14  
UPD:  
P28\_ext\_dim.CAD  
Scale 1:10 (PDF/JPG-file not to scale)