



P28

L/C/R/Surround Speaker

Technical Specifications



- Extremely high output main and surround speaker for mid to large-size rooms
- 8 meter THX Cinema reference level (105dB continuous) speaker
- Main speaker for rooms 15 to 50 feet deep
- Single-enclosure design with internal crossover does not require biamplification or DSP
- 1.5" compression driver on elliptical constant directivity waveguide: 35°H x 50°V from 1.5kHz
- Dual custom high-output 8" woofers with 1.6" / 40mm voice coils
- Identical Voice™ timbre-matched to Procella P860, P815, P610, P8, P6 and P5
- 80Hz subwoofer crossover point
- Sealed-box design
- Shallow depth (7.1" / 180mm deep)

Impedance 4 Ohms nominal
Above 6 Ohms in working range,
phase angles less than 30 degrees

Power handling
Continuous 500 Watt
Peak > 1,000 Watt

Sensitivity
1m/1W 95 dB

Maximum SPL
free-standing 122 dB continuous, 128 dB peak
in baffle wall 128 dB continuous, 132 dB peak

Frequency response
-3dB points 75 Hz and 20 kHz

Dispersion pattern
-6dB Constant directivity;
80°H x 35°V from 1.5kHz

Crossover 4th Order Linkwitz-Riley
1.6 KHz, BSC

Components
Midrange 8" Neodymium magnet driver with 40mm voice coil in 35 litre sealed box
High Frequency 1.5" driver with a Polyester diaphragm on elliptical constant directivity wave guide

Connectivity Gold plated binding posts

Construction Void free MDF internally cross braced
Studio vinyl finish as standard

Dimensions
HxWxD 25.8" x 17.7" x 7.1
655 x 450 x 180 mm

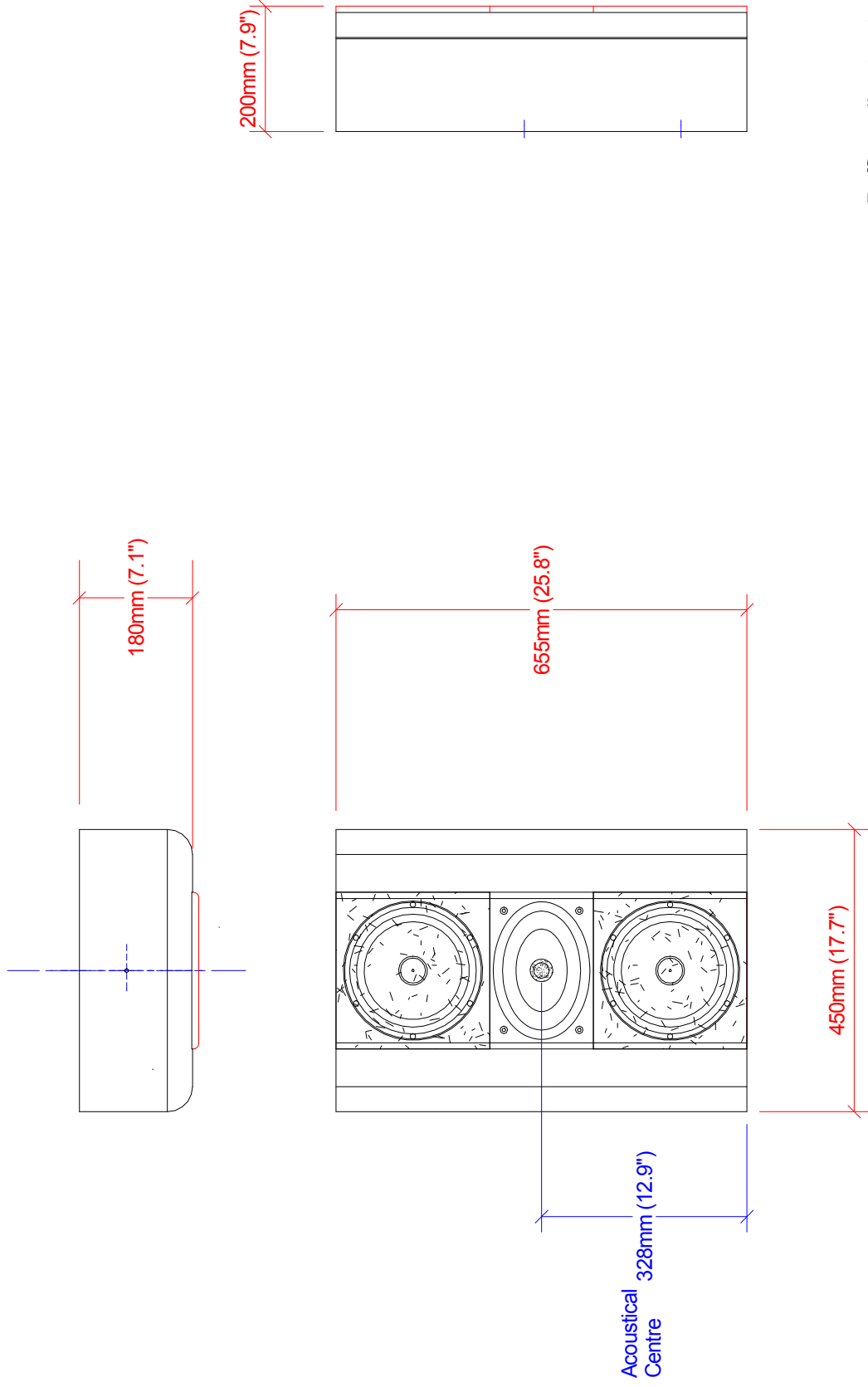
Shipping Carton
HxWxD 31.5" x 23.6" x 11.8"
800 x 600 x 300 mm

Net weight 46.3 Lbs / 21.0 Kg

Shipping weight 49.6 Lbs / 22.5 Kg

Assembly Sweden; 100% QC testing

P28



Baffle wall cut-out = 700mm x 480mm (27.5"x19")
Weight = 21kg (46.3Lbs)



Procella P28
Anders Uggeberg 12/1 -14
UPD:
P28_ext_dim.CAD
Scale 1:10 (PDF/JPG-file not to scale)