



P18



Active DSP Subwoofer Technical Specifications



- Dual-Drive Dual-Amp design
- Extremely high output for the largest home cinemas, screening rooms and small cinemas
- THX Approved for integration into professional rooms, including THX Certified Screening Rooms and THX pm3 Studios
- Twin 18" long-throw drivers with Neodymium magnets and 4" voice coils
- Critically reinforced sealed-box design
- Maximum output 139 dB @ 50 Hz
- - 3 dB point 18 Hz
- Shallow depth (300mm / 11.8")
- 1,200W+1,200W when external Procella DA-06DSP 2,400 Watt power amplifier is used
- DA-06 provides DSP control for room boundary conditions:
 - free standing
 - against wall
 - in corner
 - in baffle wall

Frequency Response

- 3 dB 18 Hz

Maximum SPL @50 Hz

Continuous 133 dB

Peak 139 dB

Components

Dual long-throw professional 18" drivers with 4" voice coil, Aluminum demodulation ring and Neodymium magnets in 205 litre sealed box

Impedance

Each driver is 8 ohms nominal

Power Handling

Continuous 2 x 1,200W

Peak 2 x 3,000W

Sensitivity

1m/1W 102 dB

Connectivity

Dual gold-plated binding posts
One input per driver

Construction

Heavily internally braced MDF
Semi matte textured black paint finish

Dimensions

HxWxD 26.375" x 41.3" x 11.8"

670 x 1050 x 300 mm

Shipping Carton

45.3" x 29.9" x 15.75"

1150 x 760 x 400 mm

Net weight 143 Lbs / 65 Kg

Shipping weight 165 Lbs / 75 Kg (plus pallet)

Included Damper feet

Assembly Sweden; 100% QC testing

DA-06 Power Amplifier

Sold and packaged separately.

See DA-05 / DA-06 Tech Sheet for details.

Power 1,200W + 1,200W continuous, Class D

DSP Settings Free standing, Against wall,
User selectable In corner, In baffle wall

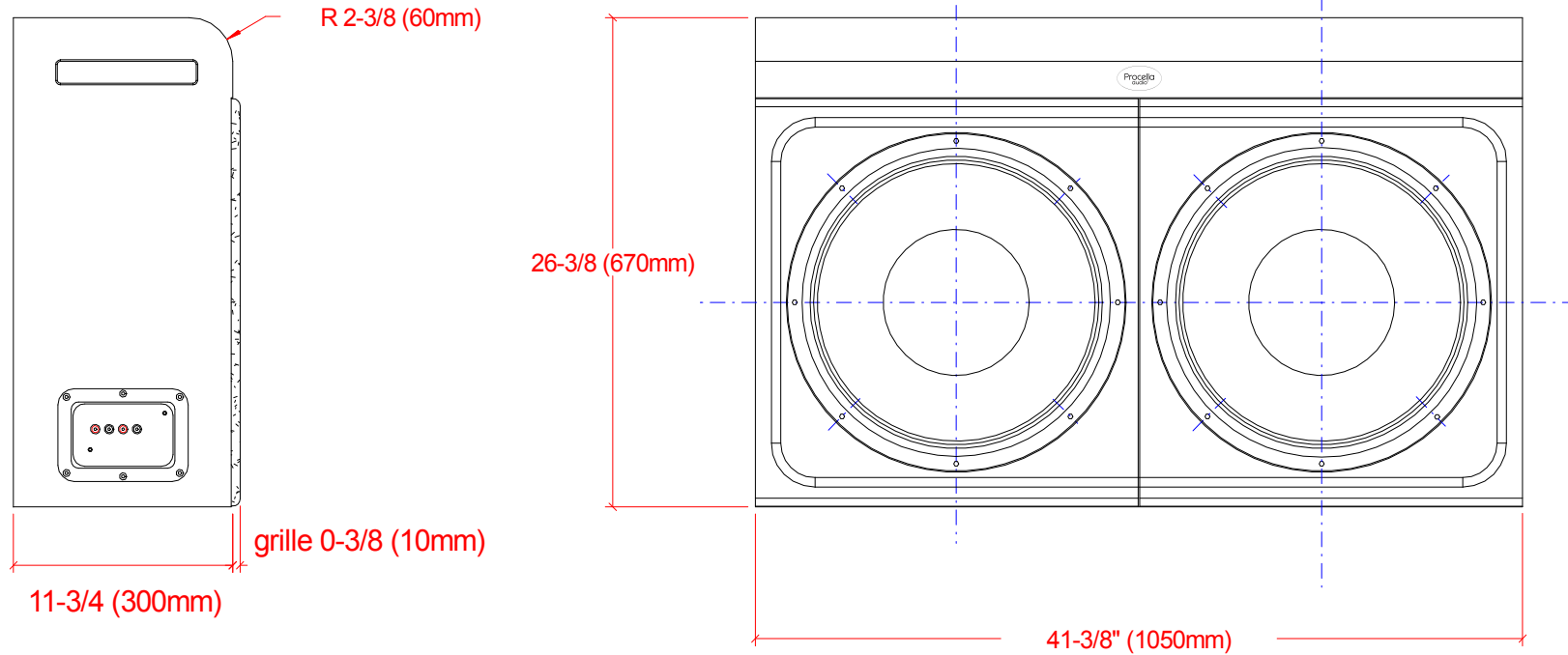
Line Voltage 100 - 250V, 40 - 80 Hz

Dimensions

W x H x D 483 mm (19") x 44 mm (1 U) x 359 mm (14.1")

Weight 6.2 kg (13.7 lbs)

P18



Baffle wall cut-out = 1100 x 710mm (43.3" x 28")

21mm MDF, Black, semi matte structured paint
VB: 160L
Packaging: 1200x800x400mm

T-nut tolerances: 0.5mm
Outside tolerance: +2mm
handle brackets and Cup position +5mm
All other tolerances +-0.5mm



Procella P18 V3.0
P18_3_vue.CAD
Anders Uggeberg 29/6 -15
UPD:8/9
Scale 1:10 (PDF/JPG-file not to scale)