



# P15

## Active DSP Subwoofer

### Technical Specifications



HOME • CINEMA • STUDIO

**WORLD-CLASS HIGH PERFORMANCE LOUDSPEAKERS**

LOS ANGELES • STOCKHOLM • SYDNEY

- Dual-Drive Dual-Amp design
- Recommended for mid to large-size rooms
- Twin 15" long-throw drivers with 3" voice coils
- P15-AMP has 350W+350W of high-efficiency Class-D amplification
- P15-FP option enables external Procella DA-05DSP (300W x2) or DA-06DSP (600W x2) Watt power amplifier
- Sealed-box design with heavily braced cabinet
- Maximum output 125 dB @ 50 Hz
- - 3 dB point 22 Hz
- Shallow depth (8.7" / 220mm deep)
- 28-bit DSP control for room boundary conditions:
  - free standing
  - against wall
  - in corner
  - in baffle wall

**Frequency Response**

-3 dB                      22 Hz

**Maximum SPL**

@ 50 Hz                      125dB

**Components**

Dual long-throw 15" drivers with Neodymium magnets and 75mm voice coils in 75 litre sealed box

**DSP Section**

28 / 56 bit ADI Sigma

**DSP Settings**

User selectable

Free standing  
Against wall  
In corner  
In baffle wall

**Amplifier**

350W + 350W, Class-D

**Line Voltage**

100 - 250V, 40 - 80 Hz

**Connectivity**

Balanced XLR  
RCA input adaptor provided

**P15-FP Option**

Enables external amplification: Procella DA-05DSP or DA-06 DSP power amplifiers

**Construction**

Heavily internally braced MDF Studio vinyl finish as standard

**Dimensions**

HxWxD                      22.4" x 36.6" x 8.7"  
570 x 930 x 220 mm

**Shipping Carton**

14" x 41"x 27"  
360 x 1045 x 685mm

**Net weight**

88 Lbs / 40.0 Kg

**Shipping weight**

100 Lbs / 45.0 Kg (plus pallet)

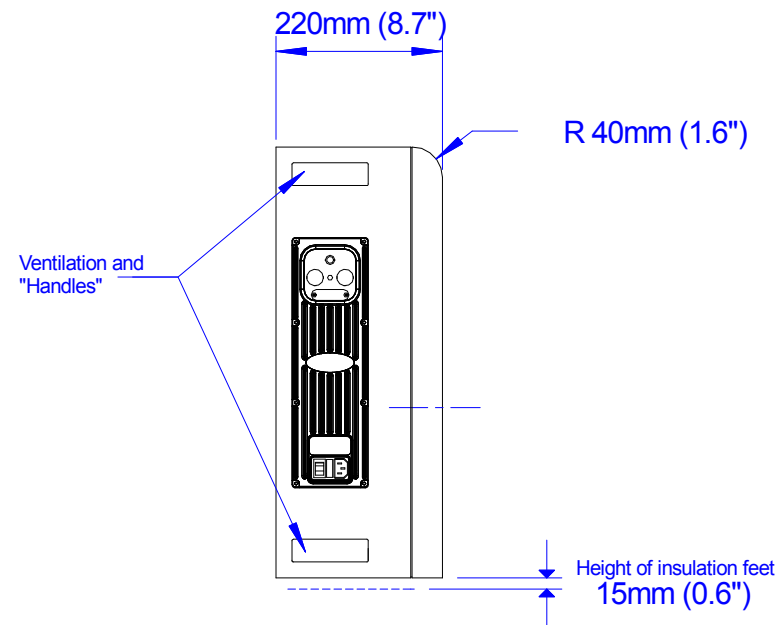
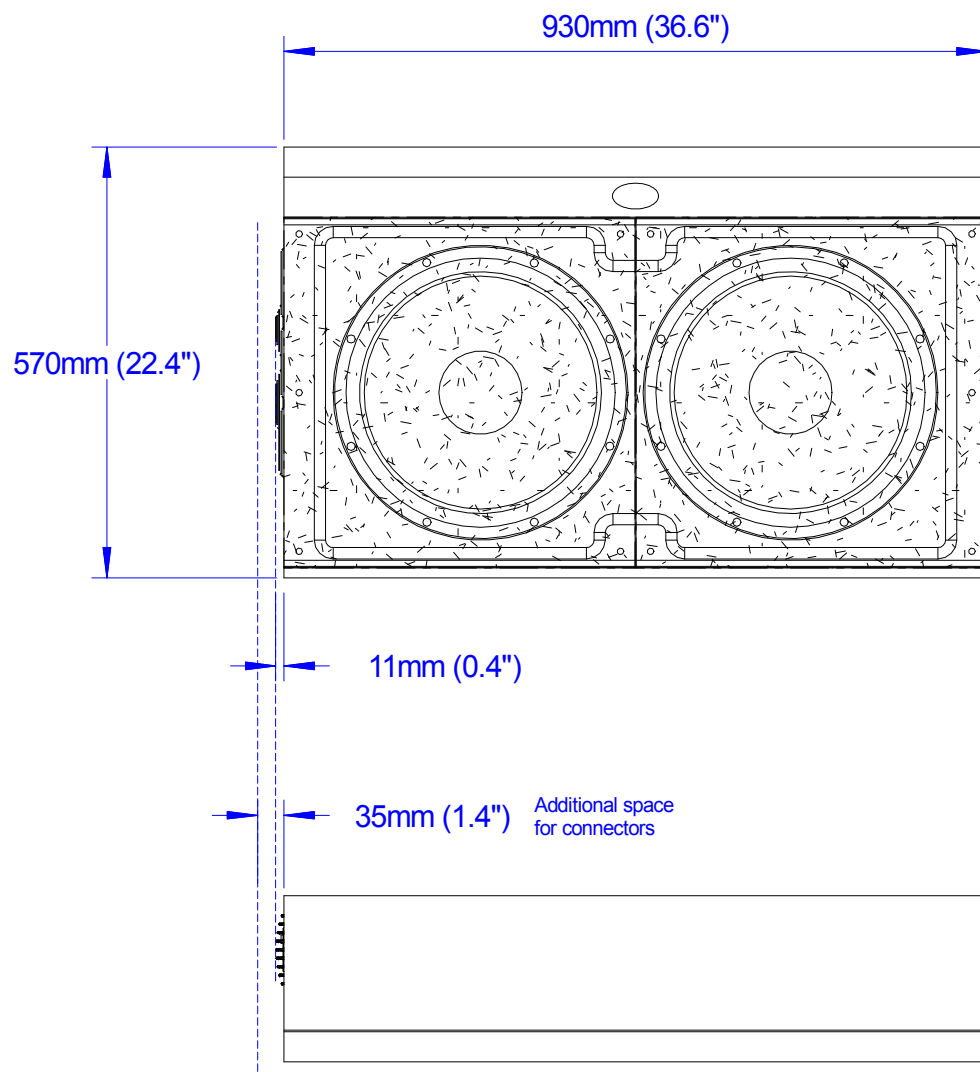
**Included**

Power cord, XLR-RCA adaptor, Damper feet

**Assembly**

Sweden; 100% QC testing

# P15



Baffle wall cut-out = 980 x 610mm (38.6" x 24")  
Weight = 48kg (106 lbs)



Procella P15 dimensions  
Anders Uggelberg aug -09  
UPD: 15/9, 26/1-12  
P15\_vue.CAD  
Scale 1:10 (PDF/JPG-file not to scale)