



P15

Active DSP Subwoofer

Technical Specifications



- Dual-Drive Dual-Amp design
- Recommended for mid to large-size rooms
- Twin 15" long-throw drivers with 3" voice coils
- P15-AMP has 350W+350W of high-efficiency Class-D amplification
- P15-FP option enables external Procella DA-05DSP (300W x2) or DA-06DSP (600W x2) power amplifier
- Sealed-box design with heavily braced cabinet
- Maximum output 125 dB @ 50 Hz
- - 3 dB point 22 Hz
- Shallow depth (8.7" / 220mm deep)
- 28-bit DSP control for room boundary conditions:
 - free standing
 - against wall
 - in corner
 - in baffle wall

HOME • CINEMA • STUDIO
WORLD-CLASS HIGH PERFORMANCE LOUDSPEAKERS
 LOS ANGELES • STOCKHOLM • SYDNEY

Frequency Response

-3 dB 22 Hz

Maximum SPL

@ 50 Hz 125dB

Components

Dual long-throw 15" drivers with Neodymium magnets and 75mm voice coils in 75 litre sealed box

DSP Section

28 / 56 bit ADI Sigma

DSP Settings

User selectable

Free standing
 Against wall
 In corner
 In baffle wall

Amplifier

350W + 350W, Class-D

Line Voltage

100 - 250V, 40 - 80 Hz

Connectivity

Balanced XLR
 RCA input adaptor provided

P15-FP Option

Enables external amplification: Procella DA-05DSP or DA-06DSP power amplifier

Construction

Heavily internally braced MDF Studio vinyl finish as standard

Dimensions

HxWxD
 22.4" x 36.6" x 8.7"
 570 x 930 x 220 mm

Shipping Carton

14" x 41" x 27"
 360 x 1045 x 685mm

Net weight

88 Lbs / 40.0 Kg

Shipping weight

100 Lbs / 45.0 Kg (plus pallet)

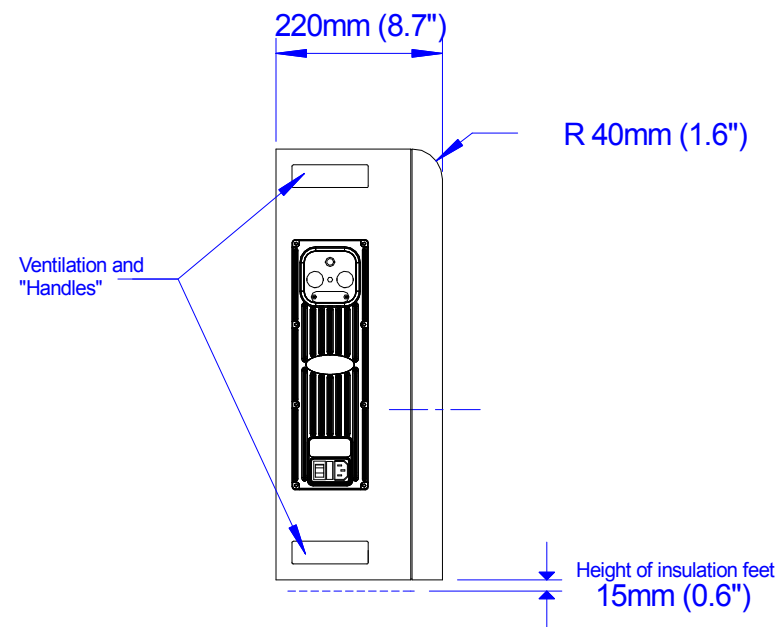
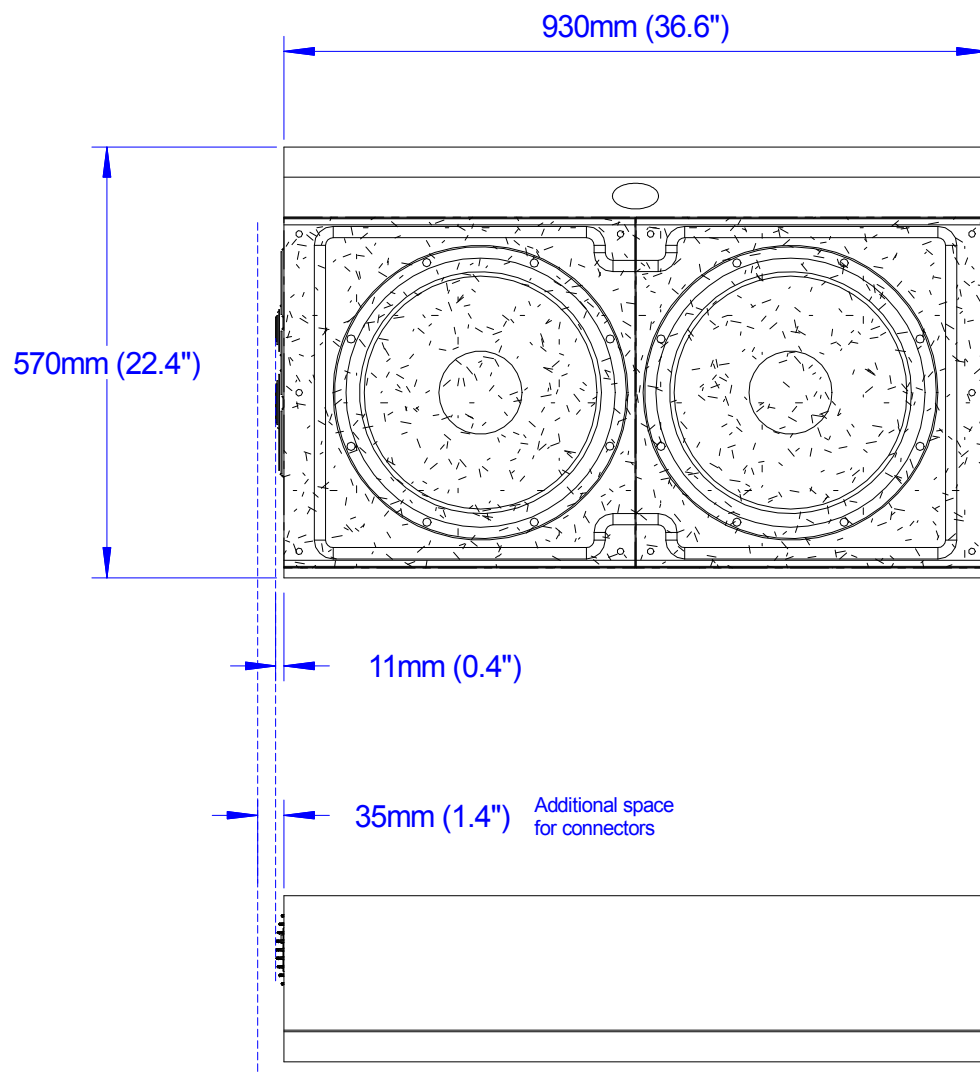
Included

Power cord, XLR-RCA adaptor, Damper feet

Assembly

Sweden; 100% QC testing

P15



Baffle wall cut-out = 980 x 610mm (38.6" x 24")
Weight = 48kg (106 lbs)



Procella P15 dimensions
Anders Uggelberg aug -09
UPD: 15/9, 26/1-12
P15_vue.CAD
Scale 1:10 (PDF/JPG-file not to scale)