



P10Si

Balancing Subwoofer

Technical Specifications



The P10Si provides integrators with a highly useful new option that facilitates the use of multiple subwoofers to produce more consistent bass performance in listening rooms. When one or more Procella P18, V6, P15, P12 or P10 subwoofers are used as main subwoofers, multiple P10Si subwoofers can be placed in different room locations to smooth the low frequency modes of the room. This can improve the overall bass quality and significantly reduce seat-to-seat variance in low frequency levels.

- Designed for use in multiple room locations to smooth low frequency room modes
- Optimizes low-frequency response when used with P18, V18, V6, P15, P12 or P10 main subwoofers
- 10" Pro-quality Italian-made long-throw subwoofer driver with 2.5" voice coil
- Requires external amplification with DSP: Optimal performance with Procella DA-05DSP or DA-06 power amplifiers
- Sealed-box design with heavily braced cabinet for superior transient response
- Maximum output 113 dB @ 50Hz
- In-room -3 dB point 26 Hz
- Ultra-slim profile (5.9"/150mm deep)
- Fits in standard wall framing
U.S. - 14 3/8", vertical orientation
EU - 540mm, horizontal orientation

Impedance 8 Ohms nominal

Power handling

Continuous 350 Watts

Peak: 1,000 Watts

Sensitivity

1m/1W 92 dB

Maximum SPL

@ 50 Hz 113 dB

Frequency response

-3dB 26Hz

Components

10 inch long-throw driver with 65mm voice coil in 18 litre sealed box

Connectivity

Gold-plated binding posts

Construction

Void free MDF, internally cross-braced
Studio Black vinyl finish standard

Dimensions

HxWxD 14.37" x 21.3" x 5.9"

(horizontal) 365 x 540 x 150 mm

Shipping Carton

HxWxD 12.2" x 25.2" x 19.7"

310 x 640 x 500 mm

Net Weight

30.8 lbs. / 14 Kg

Shipping Weight

35.5 lbs / 16.1 Kg

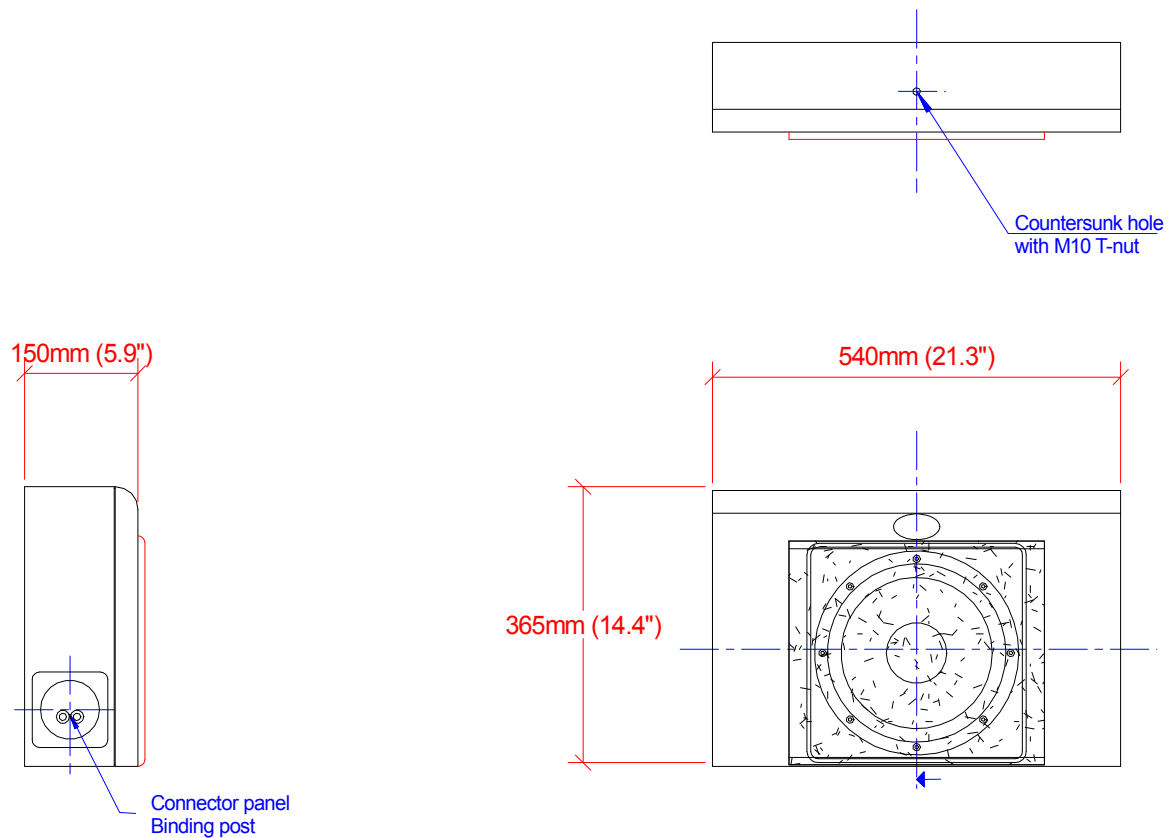
Included

Damper feet

Assembly

Sweden; 100% QC testing

P10Si



Baffle wall cut-out = 560 x 400mm (22" x 15 3/4")
Weight = 15kg / 21Lbs



Procella P10Si
Dimensions
Anders Uggelberg 23/8 -11
UPD:
P10si_ext_dim.CAD
Scale 1:10 (PDF/JPG-file not to scale)