



P10

Active DSP Subwoofer

Technical Specifications



HOME • CINEMA • STUDIO
WORLD-CLASS HIGH PERFORMANCE LOUDSPEAKERS
LOS ANGELES • STOCKHOLM • SYDNEY

- Dual-Drive Dual-Amp design
- Recommended for small to mid-size rooms
- Twin 10" long-throw drivers with 2.5" voice coils
- 350W+350W of high-efficiency green Class-D amplification
- P10-FP option enables use of external Procella DA-05DSP or DA-06DSP power amplifier
- Sealed-box design with heavily braced cabinet
- Maximum output 119 dB @ 50Hz
- - 3 dB point 26 Hz
- Ultra-slim profile (7.1" / 180mm deep)
- 28-bit DSP control for room boundary conditions:
 - free standing
 - against wall
 - in corner
 - in baffle wall

Frequency Response

-3 dB 26 Hz

Maximum SPL

@ 50 Hz 119 dB

Components

Dual long-throw 10" drivers with 65mm voice coils in 36 litre sealed box

DSP Section

28 / 56 bit ADI Sigma

DSP Settings

Free standing
User selectable Against wall
In corner
In baffle wall

Amplifier

350W + 350W, Class-D

Line Voltage

100 - 250V, 40 - 80 Hz

Connectivity

Balanced XLR
RCA input adaptor provided

P10-FP Option

Enables external amplification: Procella DA-05DSP or DA-06 DSP power amplifier

Construction

Heavily internally braced MDF Studio vinyl finish as standard

Dimensions

HxWxD 18.5" x 26.8" x 7.1"
470 x 680 x 180 mm

Shipping Carton

12.6" x 31.5" x 23.5" / 320 x 800 x 600 mm

Net weight

57.5 Lbs / 26.0 Kg

Shipping weight

66.5 Lbs / 30.1 Kg

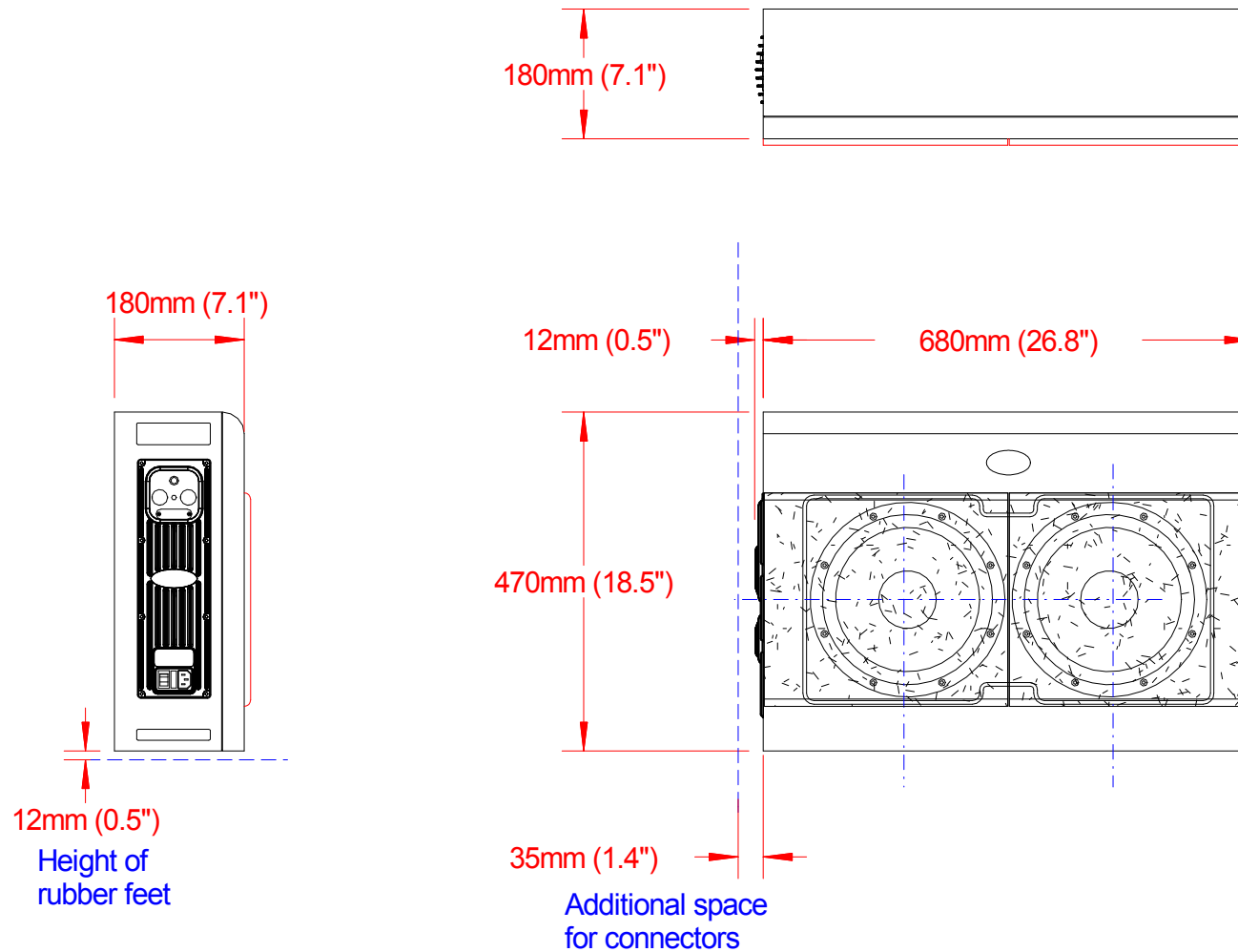
Included

Power cord, XLR-RCA adaptor, Damper feet

Assembly

Sweden; 100% QC testing

P10



Baffle wall cut-out P10 = 720 x 500mm (28.4" x 20")
Weight = 24kg



Procella P10 dimensions

Anders Uggeberg, Aug23 -11

UPD:

Scale 1:10 (PDF/JPG-file not to scale)

P10_ext_dim.CAD