



# Procella P18

## Dual 18" Subwoofer for External Amplification

### Installation Guide

***"Thank you for purchasing a Procella Audio loudspeaker system!"***

#### Package contents:

- Procella P18 loudspeaker
- 4 ea. Vibration Insulating Feet
- This installation guide

We recommend that Procella loudspeakers be installed and tuned by a trained Procella technician. Please consult with your dealer or Procella Audio for assistance with determining the proper speaker positions in your room.

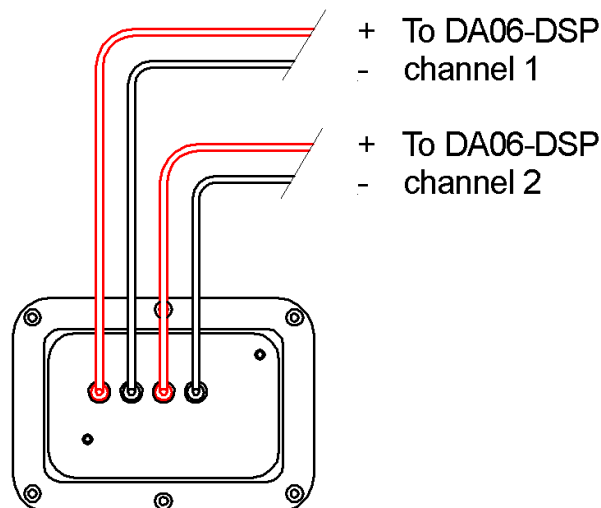
External amplification and a DSP is required for operation of the P18. The P18 is intended to be used with a Procella DA06-DSP two channel professional power amplifier. If you do not have this amplifier available, please contact your dealer or Procella Audio.

#### Installation in the room:

- If no other instructions have been provided, when installing a single Procella P18 subwoofer, it should be positioned on the floor, against a wall or built in into a wall or Baffle wall.
- When installing a P18 as a main Subwoofer, it is recommended that it is positioned below the screen, but not on the center line of the room.
- For installation behind a screen, hidden behind acoustically transparent fabric, or in any case where the front of the loudspeaker is not visible, the cloth frame should be left off. Behind a projection screen, the Procella logo should be removed or covered with black tape.
- Position the four enclosed soft vibration insulating feet evenly under the enclosure. Make sure the enclosure does not touch any other surfaces.

#### Connection to the amplifier:

- The subwoofer inputs are located on the left side of the cabinet. Two pairs of Binding Posts are provided; each set is connected to one of the P18 drivers. and should be connected directly to the amplifier outputs as shown at right.
- The RED terminal is positive(+) and the BLACK is negative (-)
- Two sets of speaker cables from the amplifier are required. Each pair of cables should be connected to one set of binding posts (one red, one black) per the illustration at right. This provides a dual 4 ohm load to the DA06-DSP, enabling it to produce 2 x 1200W. Always make sure that there are no short circuits between the cables.
- For cable runs up to 12m (40 feet) from the amplifier, use minimum 2.5mm<sup>2</sup>/AWG14 cable.
- For cable runs up to 25m (80 feet) from the amplifier, use minimum 4mm<sup>2</sup>/AWG12 cable.
- Select the appropriate P18 PRE-SET on the DA06-DSP
- The P18 needs a break-in period of at least 20h at a SPL in excess of 75dB



Please contact your local Procella Audio dealer or Procella Audio directly should you have any further questions. We love to hear from our customers with feedback on our loudspeaker products.

Email: [contact@procella-audio.com](mailto:contact@procella-audio.com) Website: [www.procella-audio.com](http://www.procella-audio.com)